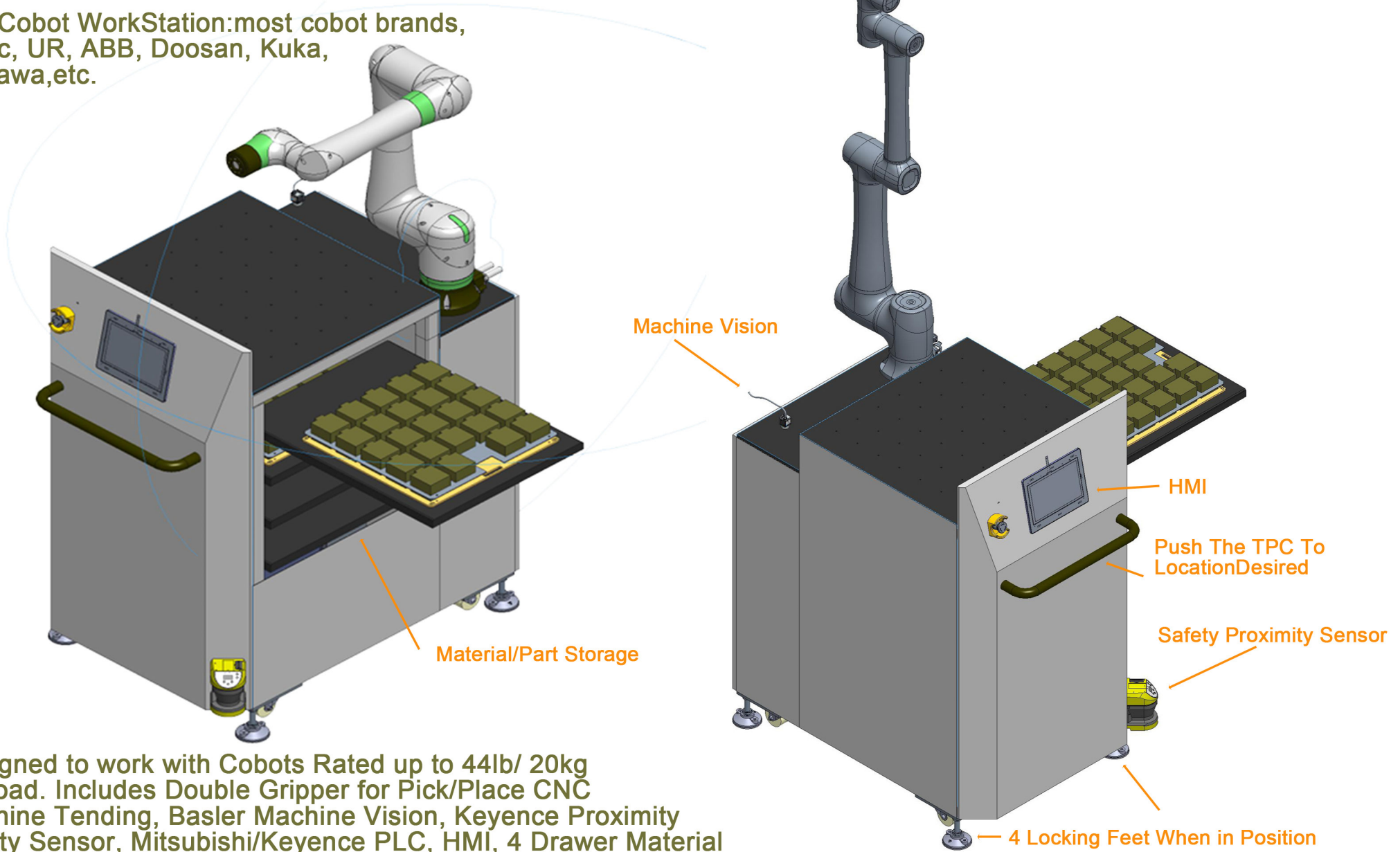


HHO Smart

Helping Human Opportunity™

TPC Cobot WorkStation: most cobot brands, Fanuc, UR, ABB, Doosan, Kuka, Yaskawa, etc.

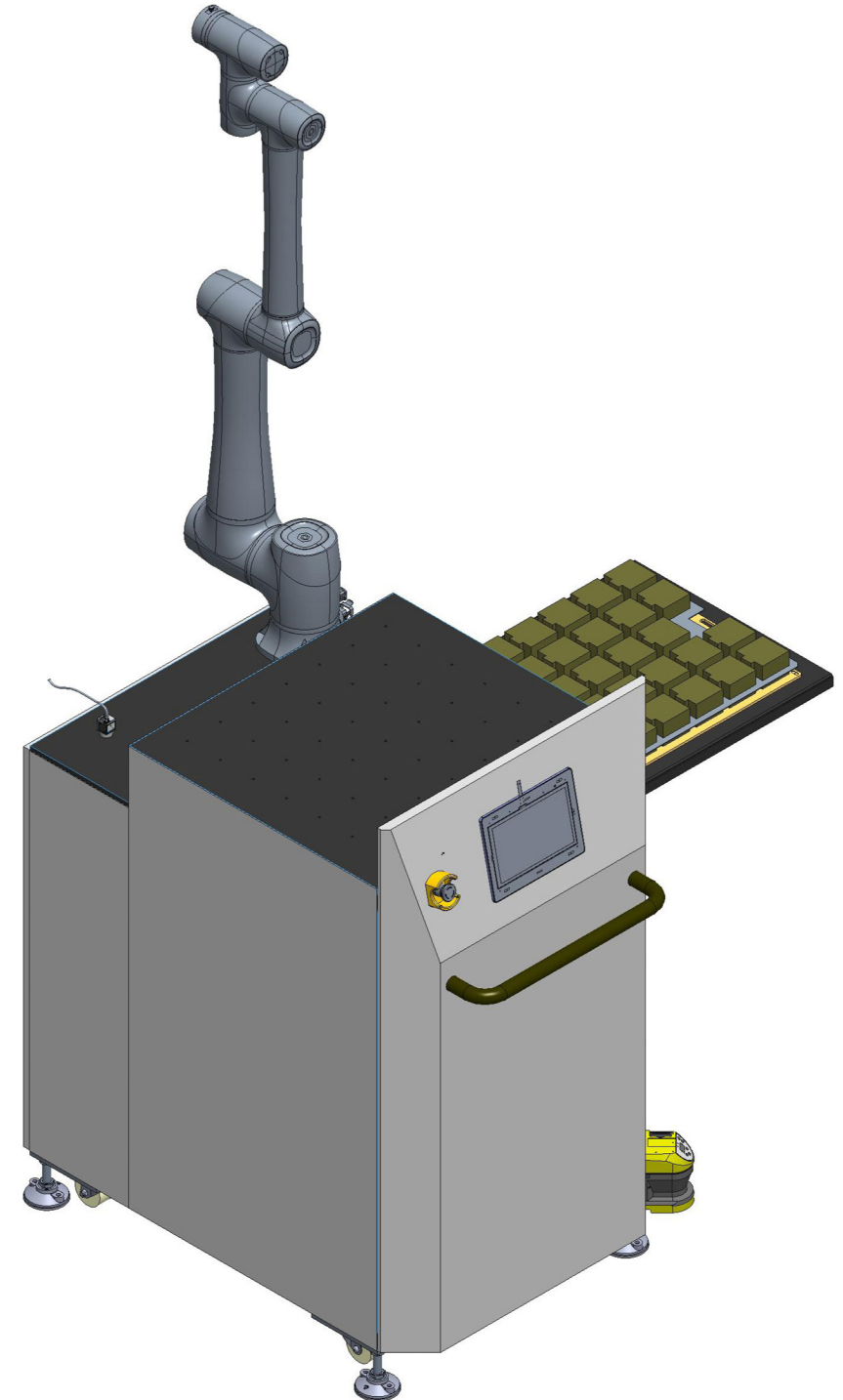


Designed to work with Cobots Rated up to 44lb/ 20kg payload. Includes Double Gripper for Pick/Place CNC Machine Tending, Basler Machine Vision, Keyence Proximity Safety Sensor, Mitsubishi/Keyence PLC, HMI, 4 Drawer Material Racking System, Comes with Fanuc CRX 10iA/L (optional)

TPC is an economic, efficient CNC Machine Tending Mobile Work Station for use with a Cobot. Use at 1 primary machine location or move between several machines to maximize the cobot workload for quicker ROI as needed! The 4 drawer racking system can store both material blanks and finished workpieces. Ideal for small-medium sized parts.

TPC can be used with cobots rated up to 44lb/20kg payloads (including the weight of the grippers). The double gripper allows for the picking and placing on same rotation. Machine vision included allows you to precisely locate the workstation to interface with the CNC and also to aid in picking and placing of blanks and components accurately.

The PLC allows you to monitor work history/progress on the HMI display. Use the Teach Pendant that comes with cobot to do any needed programming for cobot. Proximity sensor provides additional safety (collision avoidance) for the cobot arm if people approach the TPC while in operation.



HHO Smart

Helping Human Opportunity™

Marlin & Sons

begin.asia mark@begin.asia

P:8864-22493490 F8864-2249-2446

Taichung, Taiwan