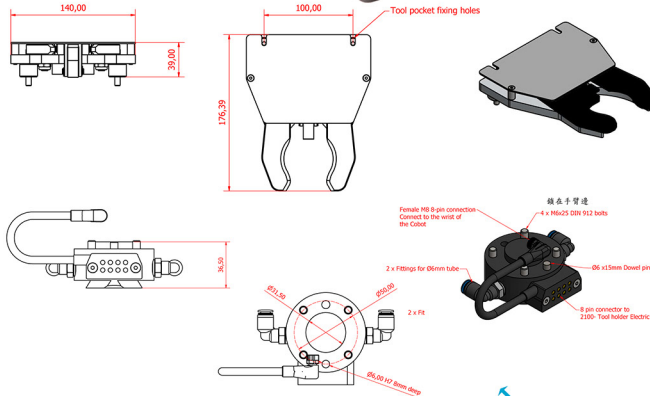


Automatic Pneumatic/Electric Tool Changer- Set B 全自動氣動電動工具快換B組

- **Fast 快又準確**
Works at high speed and precision
- **Accurate 定位精度0.05mm**
With the range of five hundredth of a millimeter in all directions and angles
- **Ease of use 操作容易**
Easy to deploy and redeploy with smart mechanical design
- **Installation 安裝簡單**
Easy installation and hereby high security
- **Handling payload 負載能力**
5 kg
- **Weight total 總重量**
755g



2 pc 自動工具快換架
#3000



ITEM NO.
1121/Female · 1122/Male

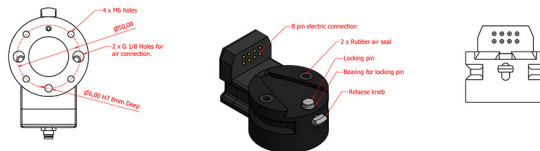
1pc 機器底座
#1122

PRODUCT FEATURES AND SPECIFICATIONS

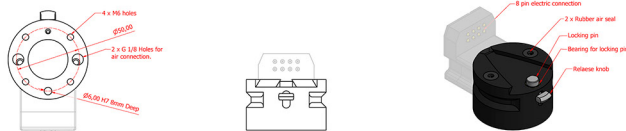
- **Fast 快又準確**
Works at high speed and precision
- **Accurate 定位精度0.05mm**
With the range of five hundredth of a millimeter in all directions and angles
- **Ease of use 操作容易**
Easy to deploy and redeploy with smart mechanical design
- **Installation 安裝簡單**
Easy installation and hereby high security
- **Handling payload 負載能力**
50 kg
- **Connection 連接**
Electric 2xG 1/8"
- **Weight total 總重量**
255g



1 pc 電動工具交換器
#2122



ITEM NO.
2122/Female · 2121/Male



1 pc 工具交換器
#2120

PRODUCT FEATURES AND SPECIFICATIONS

- **Fast 快又準確**
Works at high speed and precision
- **Accurate 定位精度0.05mm**
With the range of five hundredth of a millimeter in all directions and angles
- **Ease of use 操作容易**
Easy to deploy and redeploy with smart mechanical design
- **Installation 安裝簡單**
Easy installation and hereby high security
- **Handling payload 負載能力**
50 kg
- **Connection 連接**
Pneumatic 2xG 1/8"
- **Weight total 總重量**
255g



Marlin & Sons Co. Ltd
瑪琳企業有限公司
P: 04-2249-3490 F: 04-2249-2446
E: mark@bigin.asia